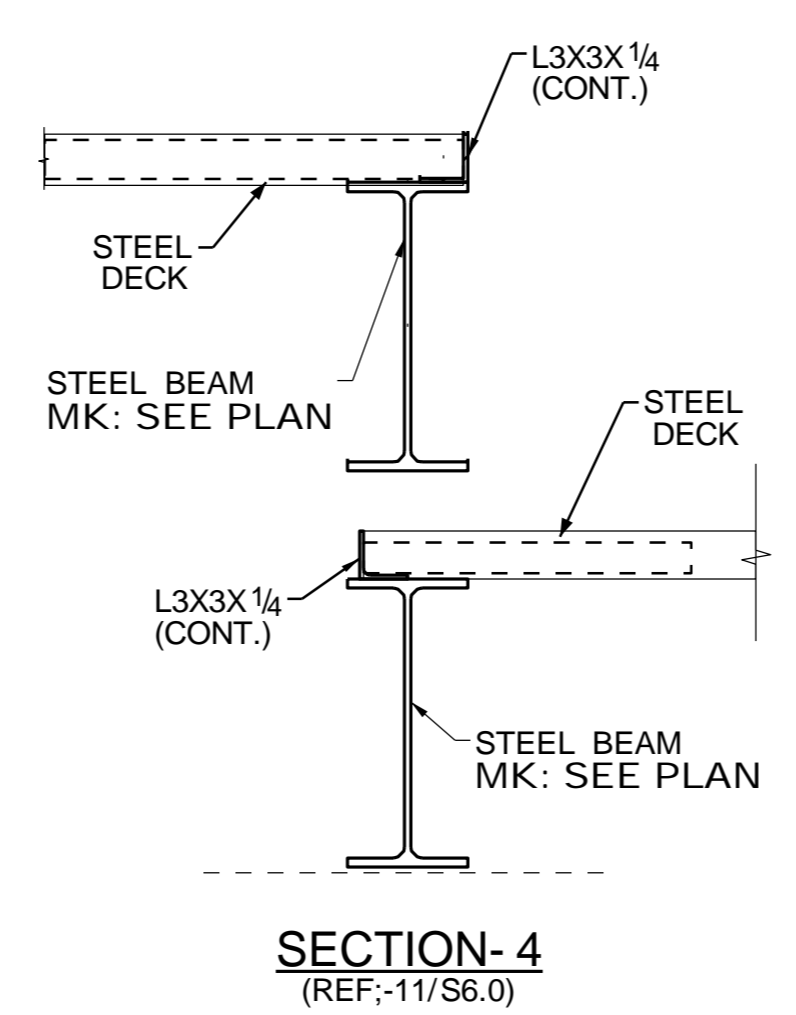
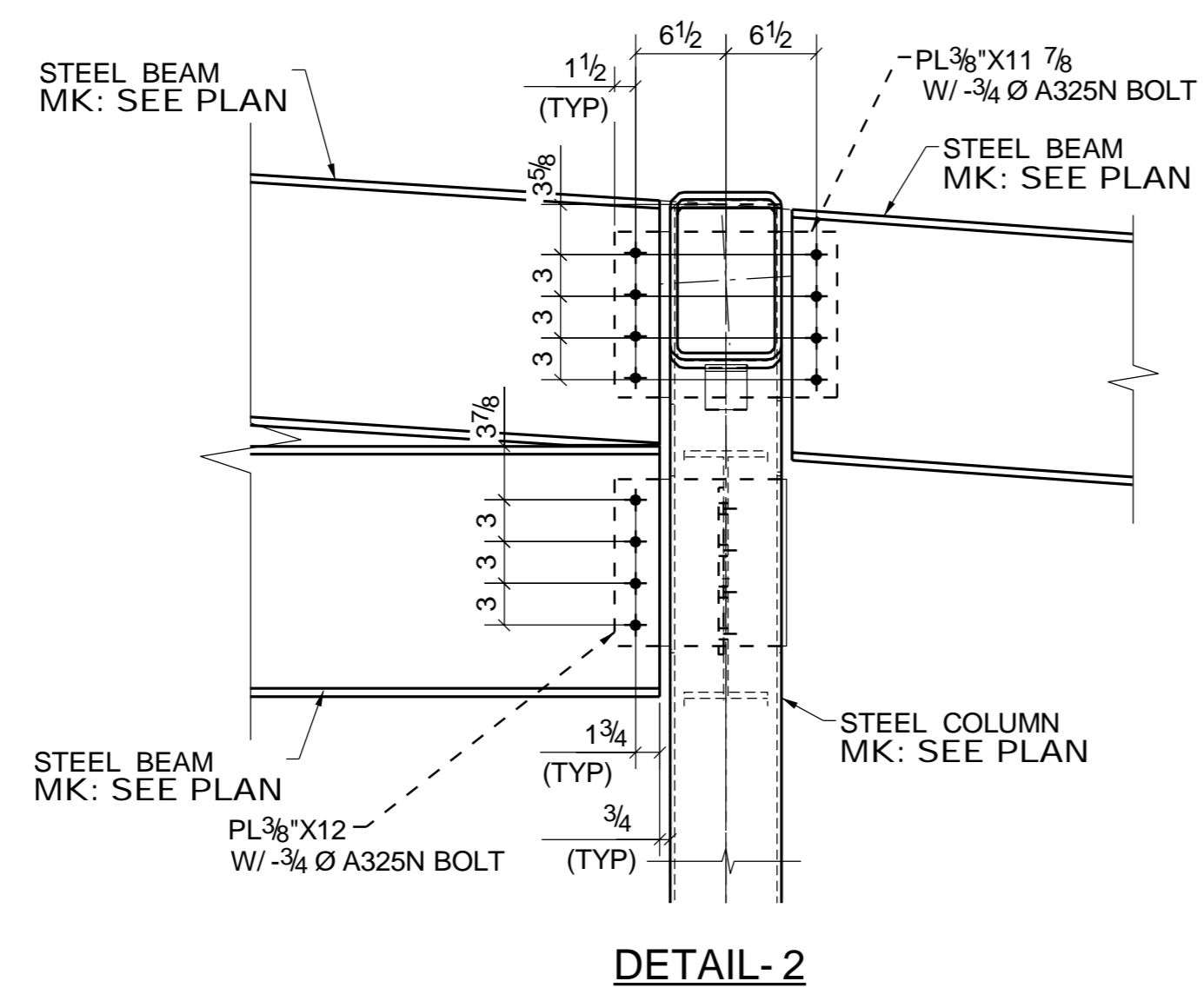
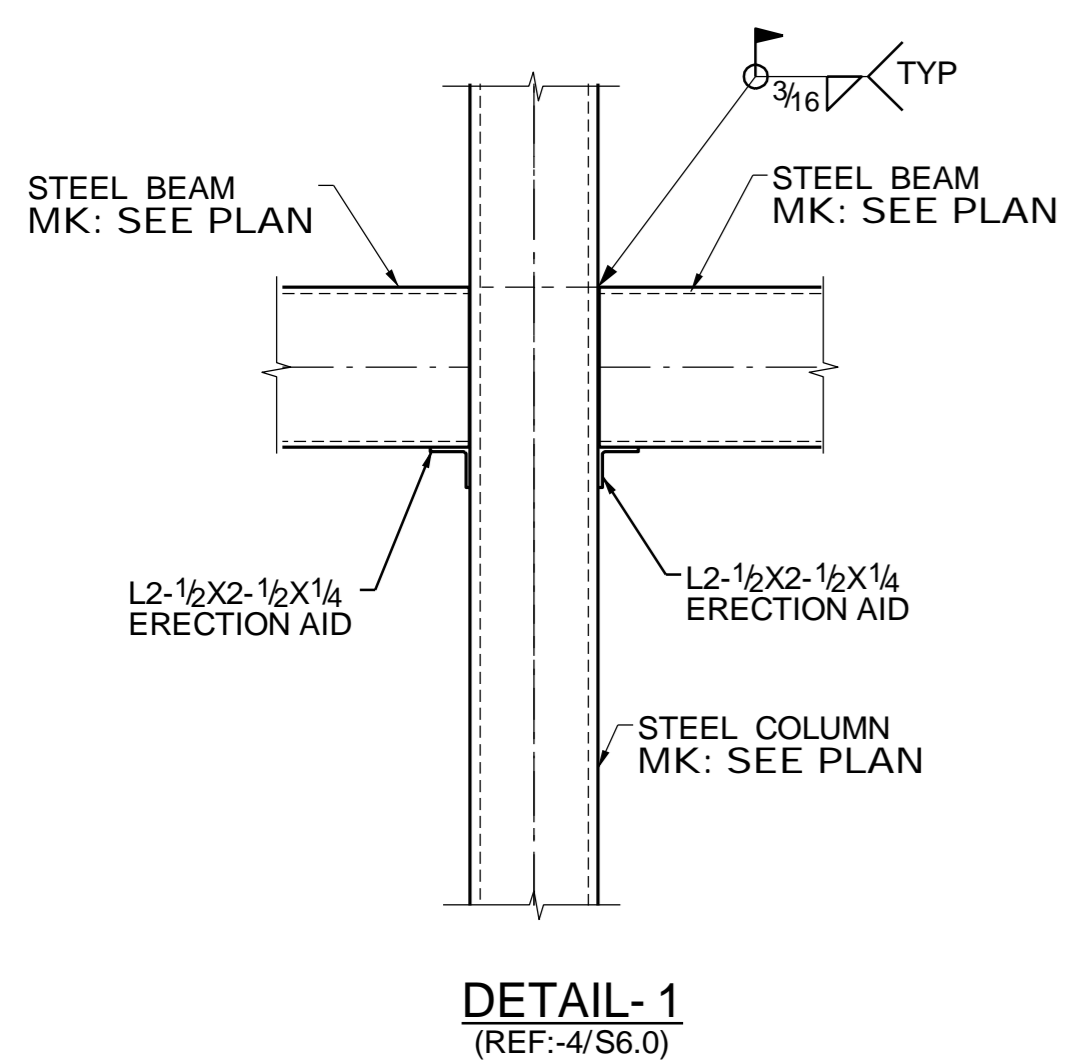
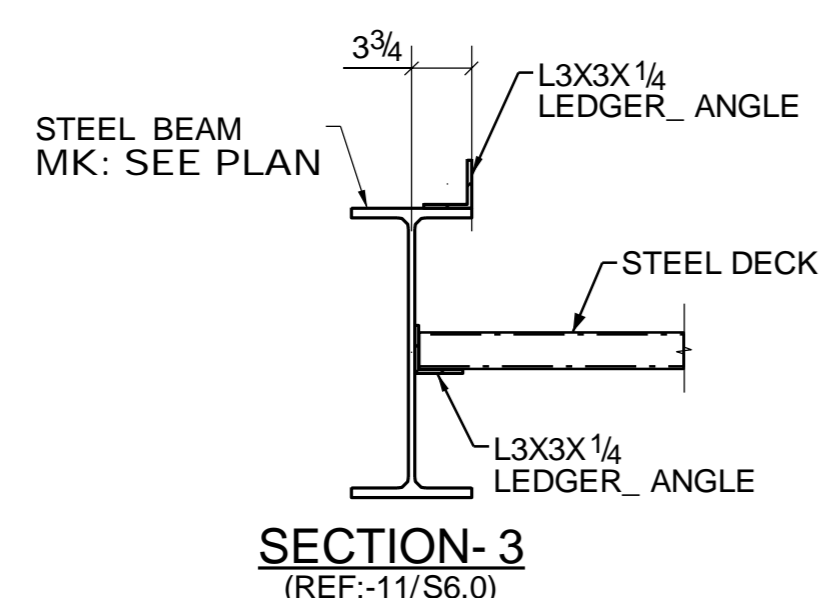


**5 BRACE FRAME #3 ELEVATION**  
(REFER: -2/S2.2)



**FOR FIELD USE**

NO.	DESCRIPTION	DATE
1	For Fabrication	

BLUE PRINTS	BLUE PRINTS	BLUE PRINTS						
NO.	DATE	FOR	NO.	DATE	FOR	NO.	DATE	FOR

ITEM	ELEVATION	DRAWN BY:
JOB	NORMS RESTAURANTS, LLC	MLA
LOCATION	17904 LAKEWOOD BLVD BELLFLOWER, CA	DATE
ARCH.	GEOFFREY B.LIM	CHECKD BY:
CONTR.	----	SLF
ENGR.	McVEIGH & MANGUM	DATE
JOB NO.	----	06/16/17
HOLE SIZE U.N.	13/16	APPROVED
FINISH	1 S/C PRIM	DRWG. NO.
		E6