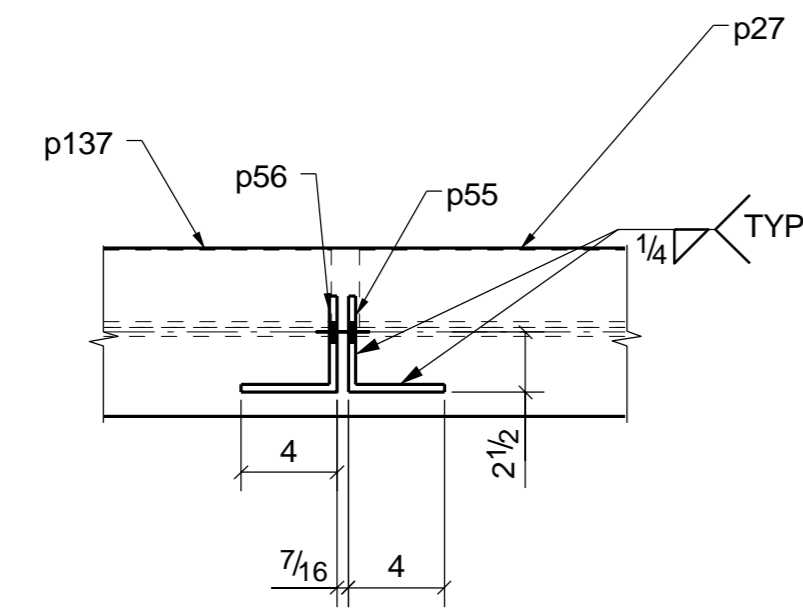
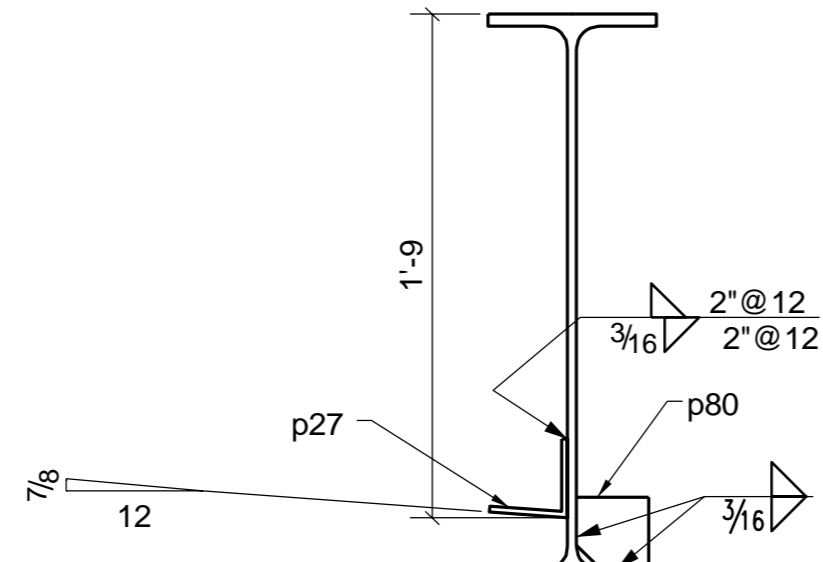


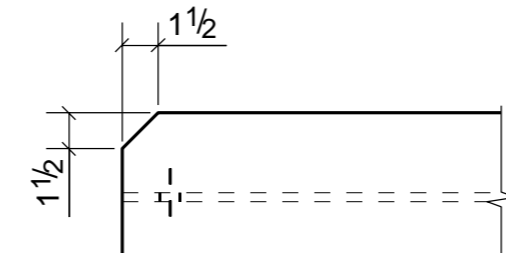
GRID LOCATION  
3-5/C



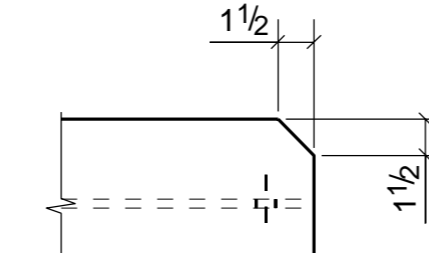
SECTION B - B



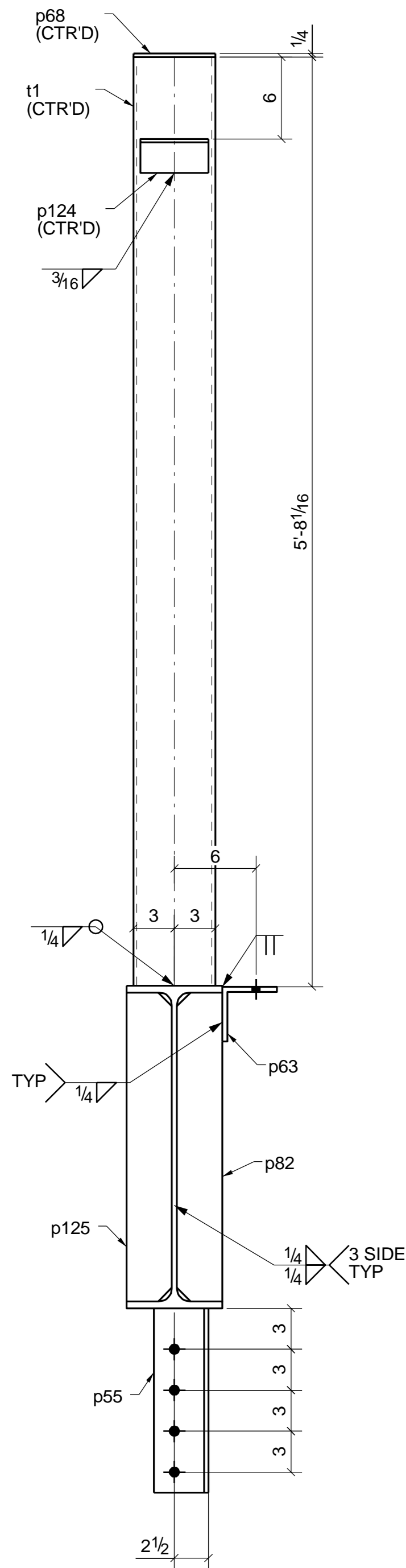
SECTION C - C



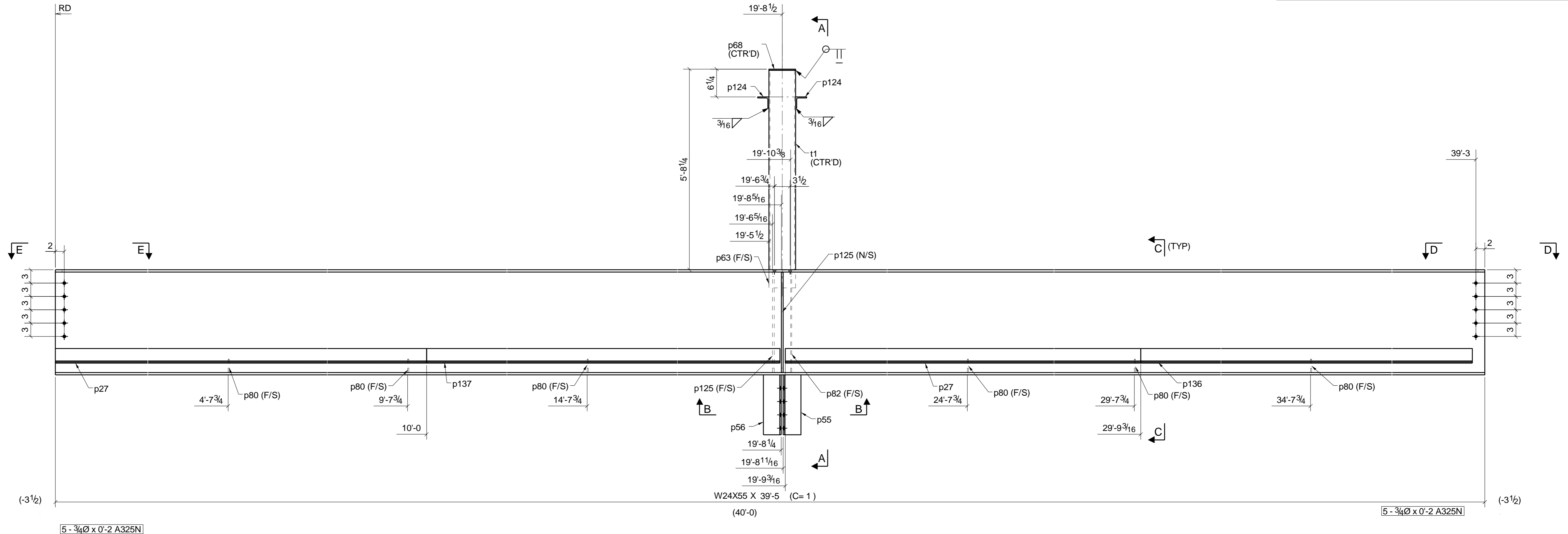
SECTION E - E



SECTION D - D



SECTION A - A



SHOP NOTES:-  
1.NO PAINT 3 AROUND HOLES  
2.NO PAINT AT UNCAPIED & CHANNEL & HSS  
3.NO PAINT AT END OF MOMENT PREP.  
4.N.P INDICATE NP PAINT AREA.  
5.HATCH INDICATE NO PAINT AREA.

### BILL OF MATERIAL

SHIP MARK	PIECE MARK	QTY	DESCRIPTION	LENGTH	REMARKS
B74		1	BEAM		
	B74	1	W24X55	39'-5"	(C=1)
	p27	2	PL1/4"X6"	10'-0"	(BENT)
	p55	1	L4X4X5/16	1'-1 1/2"	
	p56	1	L4X4X5/16	1'-1 1/2"	
	p63	1	L4X4X3/8	0'-6"	
	p68	1	PL1/4"X6"	0'-6"	
	p80	6	PL1/4"X3"	0'-3"	
	p82	1	PL1/4"X3 5/16"	1'-10 5/8"	
	p124	2	L2-1/2X2-1/2X1/4	0'-5"	
	p125	2	PL3/8"X3 5/16"	1'-10 5/8"	
	p136	1	PL1/4"X6"	9'-5"	(BENT)
	p137	1	PL1/4"X6"	9'-8"	(BENT)
	t1	1	HSS6X6X1/4	5'-8"	

### FIELD BOLTS

QTY	DESCRIPTION	LENGTH	REMARKS
2	1/2" Ø A307 BOLTS	0'-1 1/2"	w/NUT & WASHER
2	3/4" Ø A307 BOLTS	0'-3 15/16"	w/NUT & WASHER
10	3/4" Ø A325N BOLTS	0'-2"	w/NUT & WASHER

### SHOP NOTES

REF. DRAWINGS: E2	All Pipe: A53 GR-B	U.N.O.
All Material: A36	All Rebar: A706	U.N.O.
All W-Flange: A992	All Headed Studs: A108	U.N.O.
All TS: A500 GR-B	Welds: E70XX	U.N.O.

### FOR FABRICATION

NO.	DESCRIPTION	DATE
1	For Fabrication	

**APPROVAL/REVIEW AUTHORITY:**  
PLEASE REVIEW THIS DRAWING CAREFULLY IT REPRESENTS OUR INTERPRETATION OF THE INTENT OF THE CONTRACT DOCUMENTS, HOWEVER, THE STEEL FABRICATOR AND THE STRUCTURAL DETAILER ASSUMES NO RESPONSIBILITY FOR THE ACCURACY OF THE INFORMATION SHOWN ON THIS DRAWING. THIS IS THE RESPONSIBILITY OF THE BUYER.  
UNLESS NOTED TO THE CONTRARY ON THIS DRAWING WHEN IT IS RETURNED FROM APPROVAL, IT WILL BE ASSUMED THAT ALL INFORMATION SHOWN HEREIN HAS THE AFFIRMATION OF APPROVAL AUTHORITY.  
SUBSEQUENT CHANGED INFORMATION SHOWN ON THESE DRAWINGS AFTER FIRST SUBMISSION WILL BE CONSIDERED AS CONTRACT CHANGES.  
ADOPTED BY THE AMERICAN INSTITUTE OF STEEL CONSTRUCTION.

ITEM	BEAM	DRAWN BY: JKV
JOB	NORMS RESTAURANTS, LLC	DATE
LOCATION	17904 LAKEWOOD BLVD BELLFLOWER, CA	CHECKD BY: JKS
ARCH.	GEOFFREY B. LIM	DATE: 06/16/17
CONTR.	----	APPROVED
ENGR.	McVEIGH & MANGUM	
JOB NO.	HOLE SIZE U.N.	FINISH
--	13/16	1 S/C PRIM
		DRWG. NO. B74

ONE ~ BEAM ~ B74