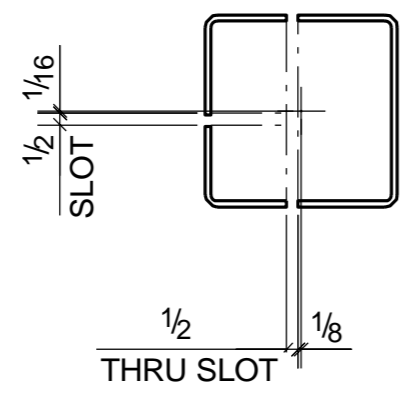
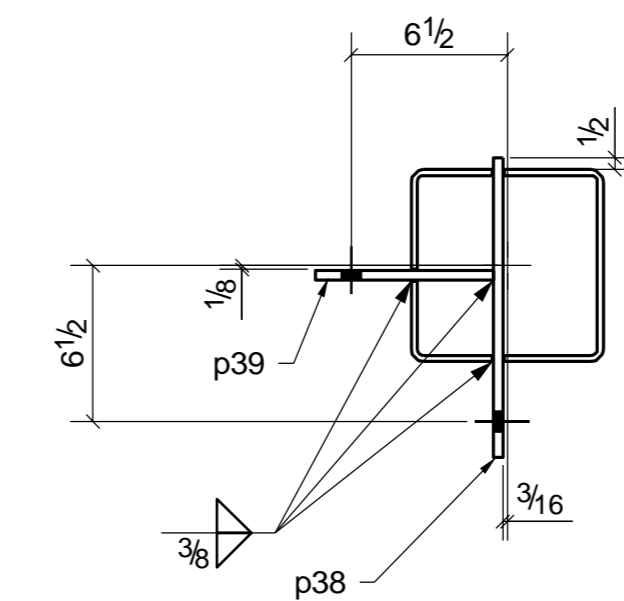


GRID LOCATION
0.1/D



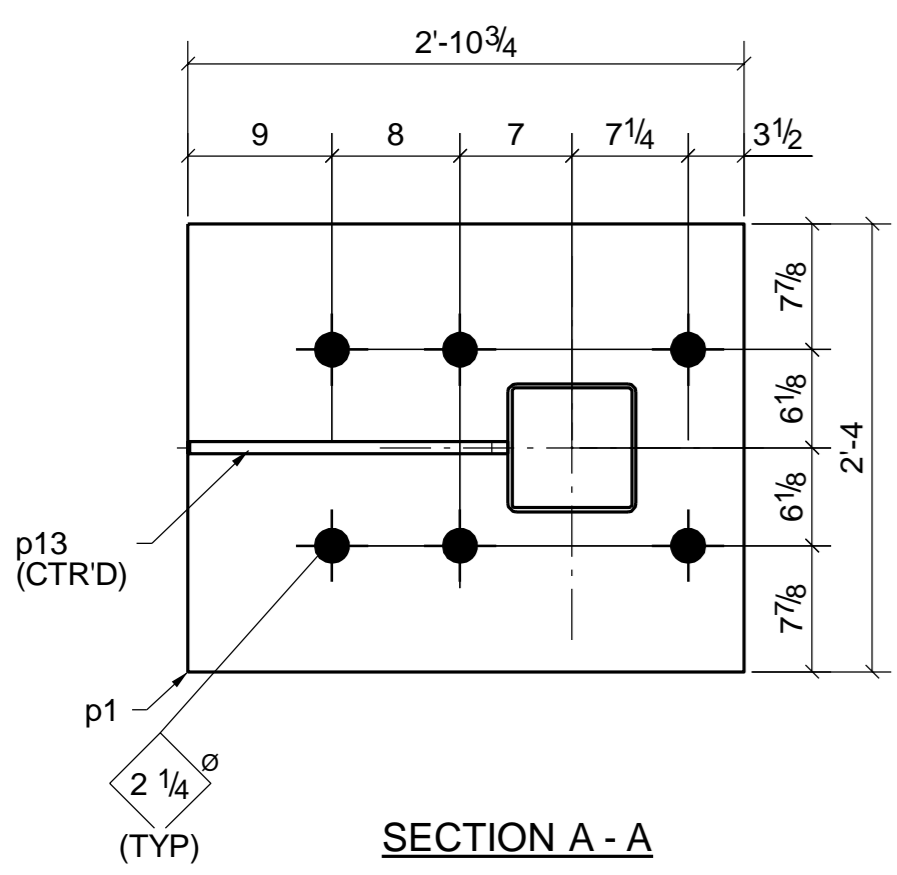
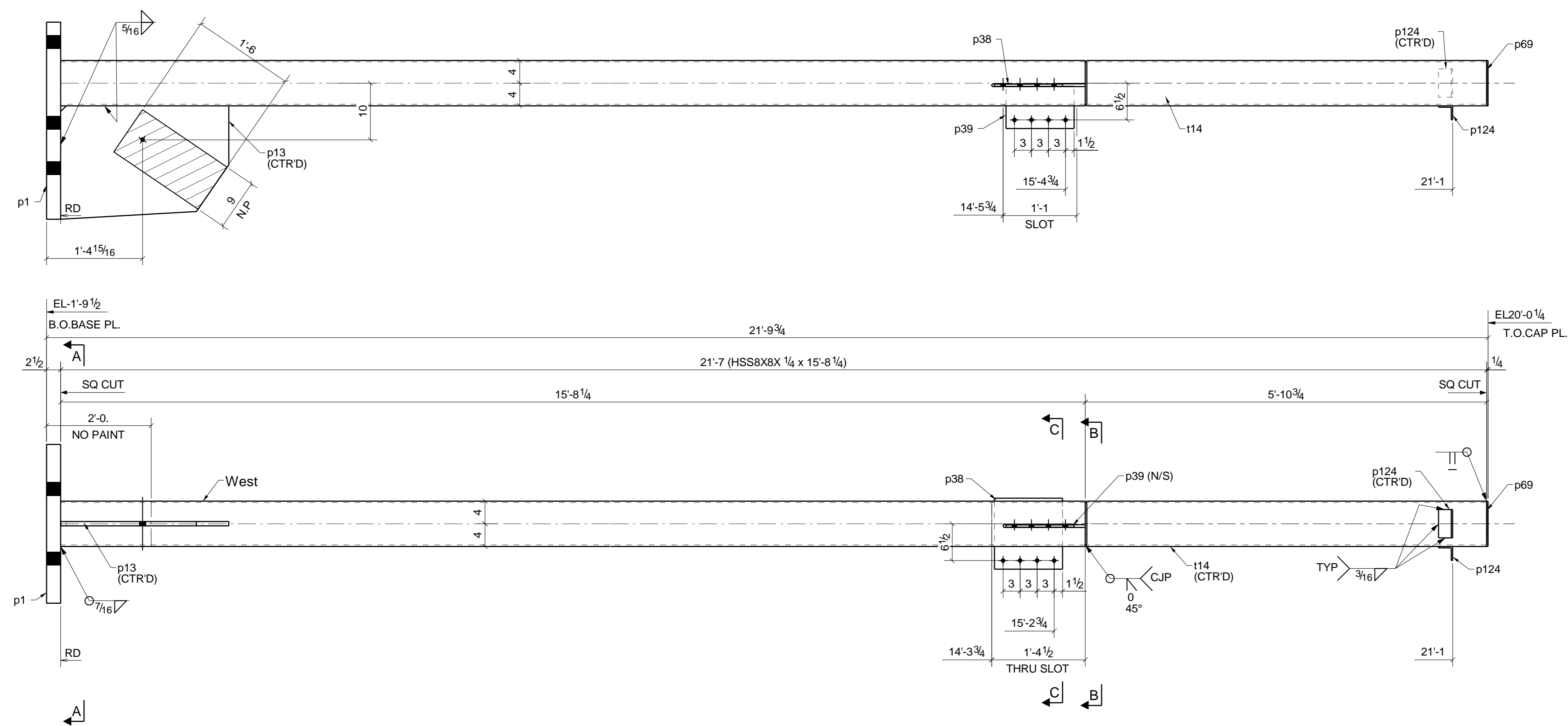
SECTION C - C



SECTION B - B

BILL OF MATERIAL					
SHIP MARK	PIECE MARK	QTY	DESCRIPTION	LENGTH	REMARKS
C2		1	COLUMN		
	C2	1	HSS8X8X1/4	15'-8 1/4"	
	p1	1	PL2 1/2"X28"	2'-10 3/4"	
	p13	1	PL3/4"X20"	2'-5 5/8"	
	p38	1	PL3/8"X12"	1'-0 1/2"	
	p39	1	PL3/8"X7 7/16"	1'-0"	
	p69	1	PL1/4"X8"	0'-8"	
	p124	2	L2-1/2X2-1/2X1/4	0'-5"	
	t14	1	HSS8X8X1/4	5'-10 3/4"	

FIELD BOLTS			
QTY	DESCRIPTION	LENGTH	REMARKS



SECTION A - A

SHOP NOTES:-
 1.NO PAINT 3 AROUND HOLES
 2.NO PAINT AT UNCAPED & CHANNEL & HSS
 3.NO PAINT AT END OF MOMENT PREP.
 4.N.P INDICATE NO PAINT AREA.
 5.HATCH INDICATE NO PAINT AREA.

FOR FABRICATION

SHOP NOTES							
REF. DRAWINGS: (ONE@E1)				All Pipe: A53 GR-B U.N.O.			
All Material: A36 U.N.O.				All Rebar: A706 U.N.O.			
All W-Flange: A992 U.N.O.				All Headed Studs: A108 U.N.O.			
All TS: A500 GR-B U.N.O.				Welds: E70XX U.N.O.			
BLUE PRINTS		BLUE PRINTS		BLUE PRINTS		BLUE PRINTS	
NO.	DATE	FOR	NO.	DATE	FOR	NO.	DATE
APPROVAL/REVIEW AUTHORITY: PLEASE REVIEW THIS DRAWING CAREFULLY IT REPRESENT OUR INTERPRETATION OF THE INTENT OF THE CONTRACT DOCUMENTS, HOWEVER, THE STEEL FABRICATOR AND THE STRUCTURAL DETAILER ASSUMES NO RESPONSIBILITY FOR THE ACCURACY OF THE INFORMATION SHOWN ON THIS DRAWING. THIS IS THE RESPONSIBILITY OF THE BUYER. UNLESS NOTED TO THE CONTRARY ON THIS DRAWING WHEN IT IS RETURNED FROM APPROVAL, IT WILL BE ASSUMED THAT ALL INFORMATION SHOWN HEREIN HAS THE AFFIRMATION OF APPROVAL AUTHORITY. SUBSEQUENT CHANGED INFORMATION SHOWN ON THESE DRAWINGS AFTER FIRST SUBMISSION WILL BE CONSIDERED AS CONTRACT CHANGES. ADOPTED BY THE AMERICAN INSTITUTE OF STEEL CONSTRUCTION.							

NO.	DESCRIPTION	DATE
1	For Fabrication	

ITEM	COLUMN	DRAWN BY: JKV	
JOB	NORMS RESTAURANTS, LLC	DATE	
LOCATION	17904 LAKEWOOD BLVD BELLFLOWER, CA	CHECKD BY: JKS	
ARCH.	GEOFFREY B.LIM	DATE 06/16/17	
CONTR.	----	APPROVED	
ENGR.	McVEIGH & MANGUM		
JOB NO.	HOLE SIZE U.N.	FINISH	DRWG. NO.
--	13/16	1 S/C PRIM	C2

Tells structures