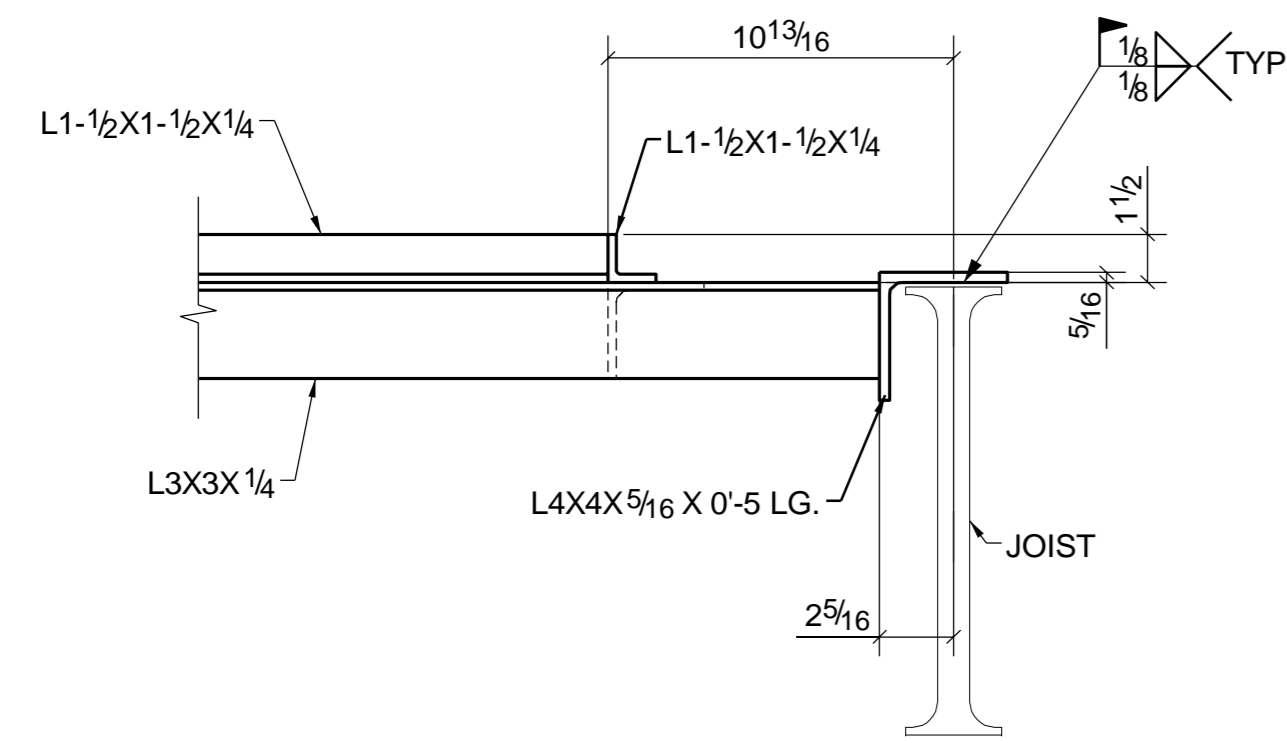
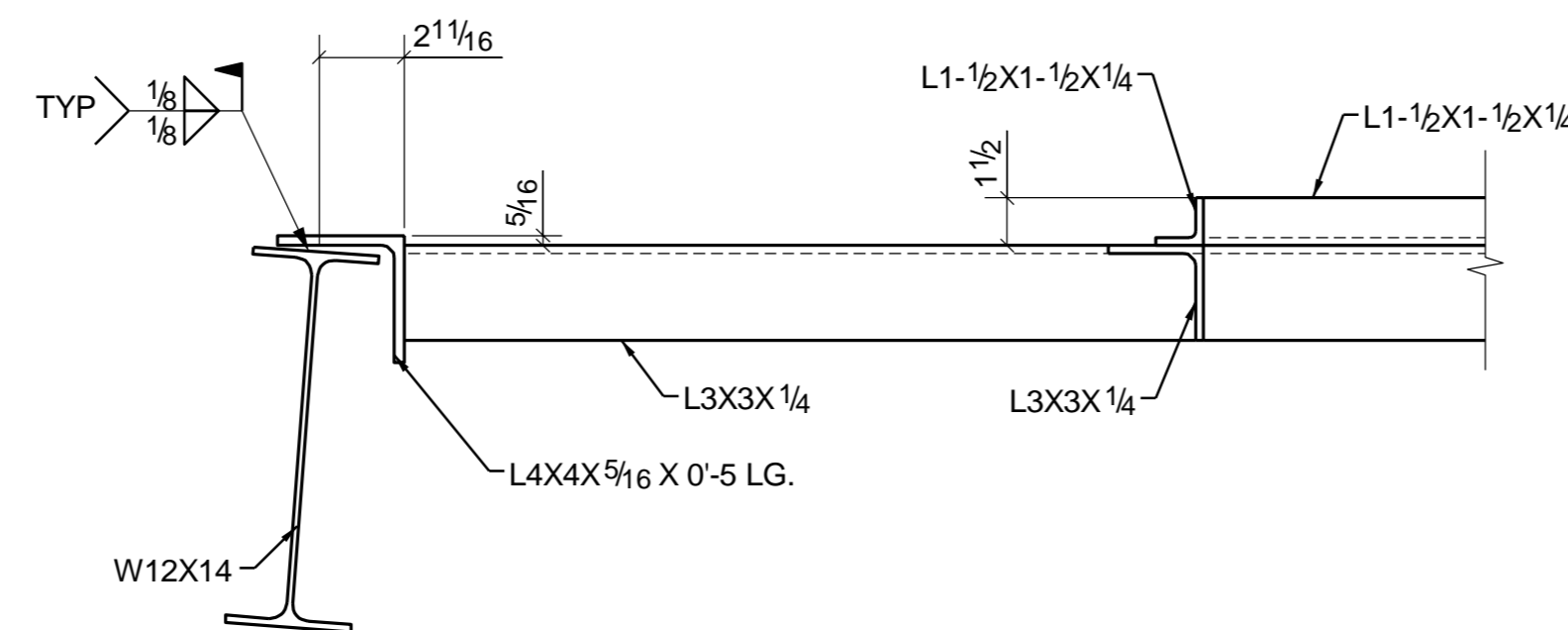


RTU FRAMING PLAN
(REFER:-1/S1.3)



SECTION - 1
(REFER:-1/S6.0)



SECTION - 2
(REFER:-1/S6.0)

FOR APPROVAL ONLY

NO.	DESCRIPTION	DATE

BLUE PRINTS			BLUE PRINTS			BLUE PRINTS		
NO.	DATE	FOR	NO.	DATE	FOR	NO.	DATE	FOR

ITEM	RTU FRMNG PLAN	DRAWN BY:	MLA
JOB	NORMS RESTAURANTS, LLC	DATE	
LOCATION	17904 LAKEWOOD BLVD BELLFLOWER, CA	CHECKD BY:	SLF
ARCH.	GEOFFREY B.LIM	DATE	06/21/17
CONTR.	----	APPROVED	
ENGR.	MCVEIGH & MANGUM		

JOB NO.	HOLE SIZE U.N.	FINISH	DRWG. NO.
--	13/16	1 S/C PRIM	E10