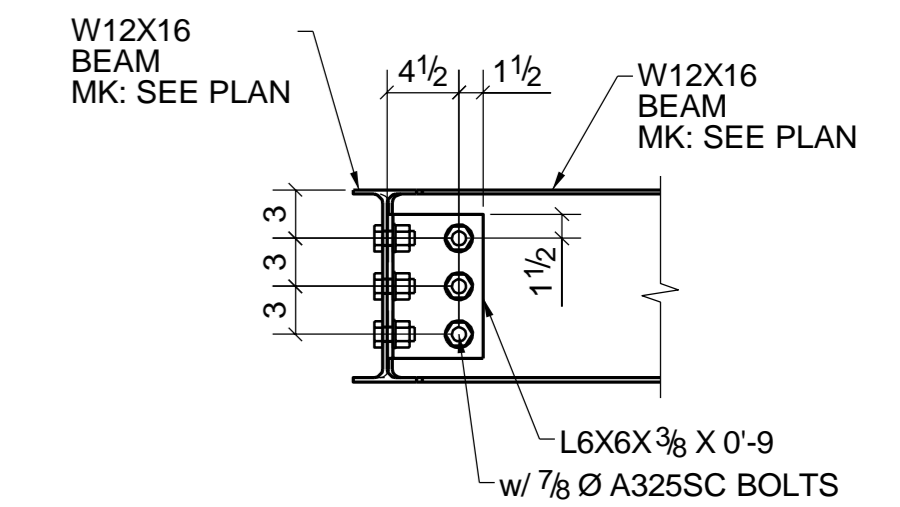
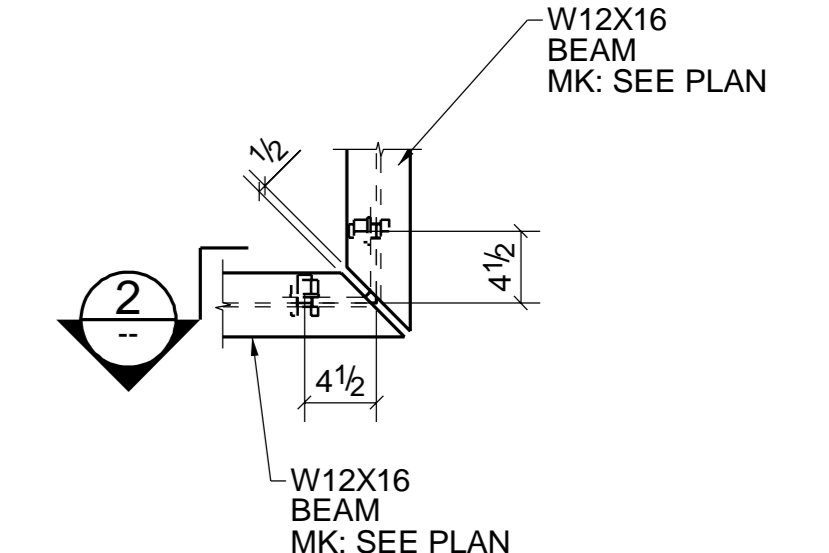


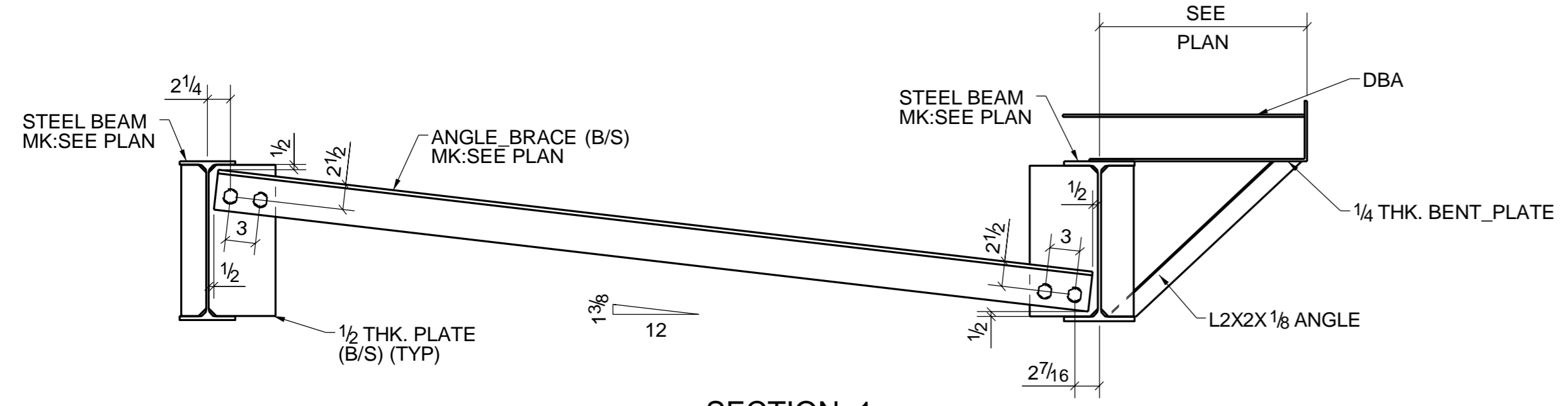
PARTIAL UPPER LEVEL FLOOR FRAMING PLAN (REF:-S2)



SECTION-2 (REF:-5/SD4)



DETAIL-A (REF:-5/SD4)



SECTION-1 (REF:-3/SD4)

KEY NOTES

- 1). ALL TOP OF BEAM 17'-0 U.N.O.
- 2). ► INDICATES MOMENT CONNECTION, REFER SHEET 8/ E4 U.N.O.
- 3). ● INDICATES DRAG CONNECTION.
- 4). E.O.S INDICATES EDGE OF SLAB.

FOR APPROVAL ONLY

NO.	DESCRIPTION	DATE

BLUE PRINTS			BLUE PRINTS			BLUE PRINTS		
NO.	DATE	FOR	NO.	DATE	FOR	NO.	DATE	FOR

ITEM	ERECTION PLAN	DRAWN BY: ANN	
JOB	H&M	DATE 07/03/17	
LOCATION	US183 VICTORIA GARDEN	CHECKD BY: SLF	
ARCH.	LDA DESIGN GROUP INC.	DATE 06/30/17	
CONTR.	--	APPROVED	
ENGR.	HSA & ASSOCIATES INC,		
JOB NO.	HOLE SIZE U.N.	FINISH	DRWG. NO.
--	15/16	STD SHOP	E1