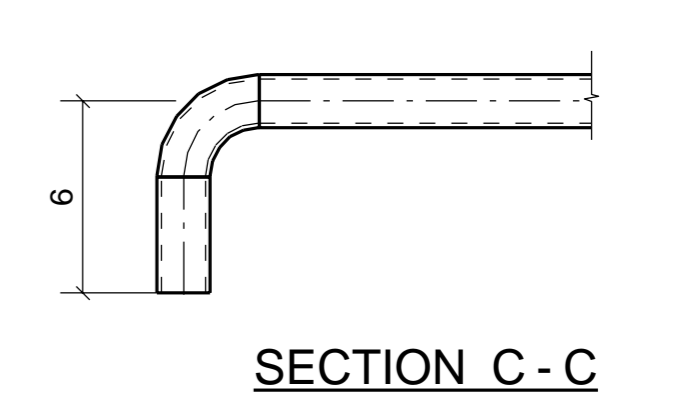
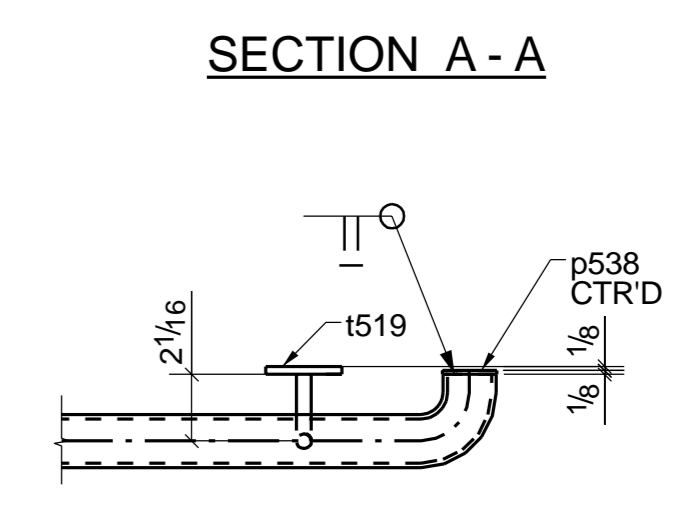
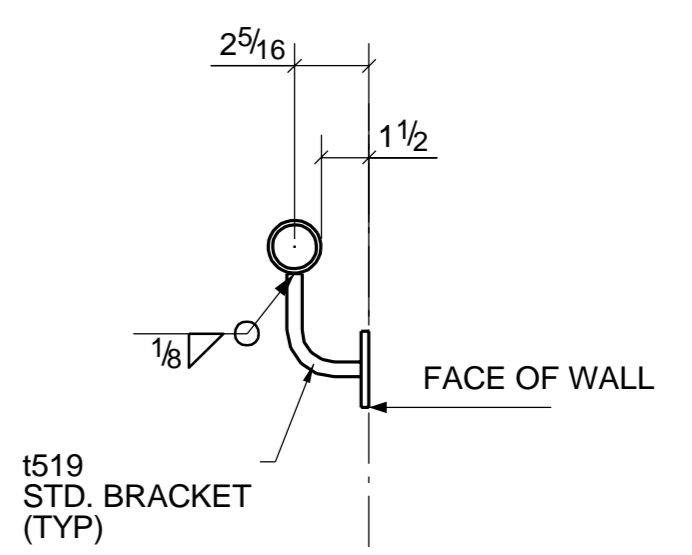


BILL OF MATERIAL					
SHIP MARK	PIECE MARK	QTY	DESCRIPTION	LENGTH	REMARKS
GR7		1	GRAB_RAIL		
			PIPE 1-1/4 STD	38'-8 3/16"	TOTAL LENGTH
	p538	1	PL 1/8" X 1 11/16"	0'-1 11/16"	
	t519	7	STD. BRACKET		(BY OUT)

FIELD BOLTS			
QTY	DESCRIPTION	LENGTH	REMARKS



SHOP NOTES							
REF. DRAWINGS: E31		All Pipe: A53		U.N.O.			
All Material: A36		U.N.O.		All Rebar: A706		U.N.O.	
All W-Flange: A992		U.N.O.		All Headed Studs: A108		U.N.O.	
All TS: A500 GR-B		U.N.O.		Welds: E70XX		U.N.O.	
BLUE PRINTS		BLUE PRINTS		BLUE PRINTS			
NO.	DATE	FOR	NO.	DATE	FOR	NO.	DATE

FOR FABRICATION		
NO.	DESCRIPTION	DATE
1	For Fabrication	

APPROVAL/REVIEW AUTHORITY:
 PLEASE REVIEW THIS DRAWING CAREFULLY IT REPRESENT OUR INTERPRETATION OF THE INTENT OF THE CONTRACT DOCUMENTS, HOWEVER, THE STEEL FABRICATOR AND THE STRUCTURAL DETAILER ASSUMES NO RESPONSIBILITY FOR THE ACCURACY OF THE INFORMATION SHOWN ON THIS DRAWING. THIS IS THE RESPONSIBILITY OF THE BUYER.
 UNLESS NOTED TO THE CONTRARY ON THIS DRAWING WHEN IT IS RETURNED FROM APPROVAL, IT WILL BE ASSUMED THAT ALL INFORMATION SHOWN HEREIN HAS THE AFFIRMATION OF APPROVAL AUTHORITY.
 SUBSEQUENT CHANGED INFORMATION SHOWN ON THESE DRAWINGS AFTER FIRST SUBMISSION WILL BE CONSIDERED AS CONTRACT CHANGES.
 ADOPTED BY THE AMERICAN INSTITUTE OF STEEL CONSTRUCTION.

ITEM	GRAB_RAIL	DRAWN BY:	BSF
JOB	H&M	DATE	
LOCATION	US183 VICTORIA GARDEN	CHECKD BY:	AGF
ARCH.	LDA DESIGN GROUP INC.	DATE	07/15/17
CONTR.	--	APPROVED	
ENGR.	HSA & ASSOCIATES INC,		
JOB NO.	--	HOLE SIZE U.N.	15/16
		FINISH	STD SHOP
		DRWG. NO.	GR7

ONE ~ GRAB RAIL ~ GR7