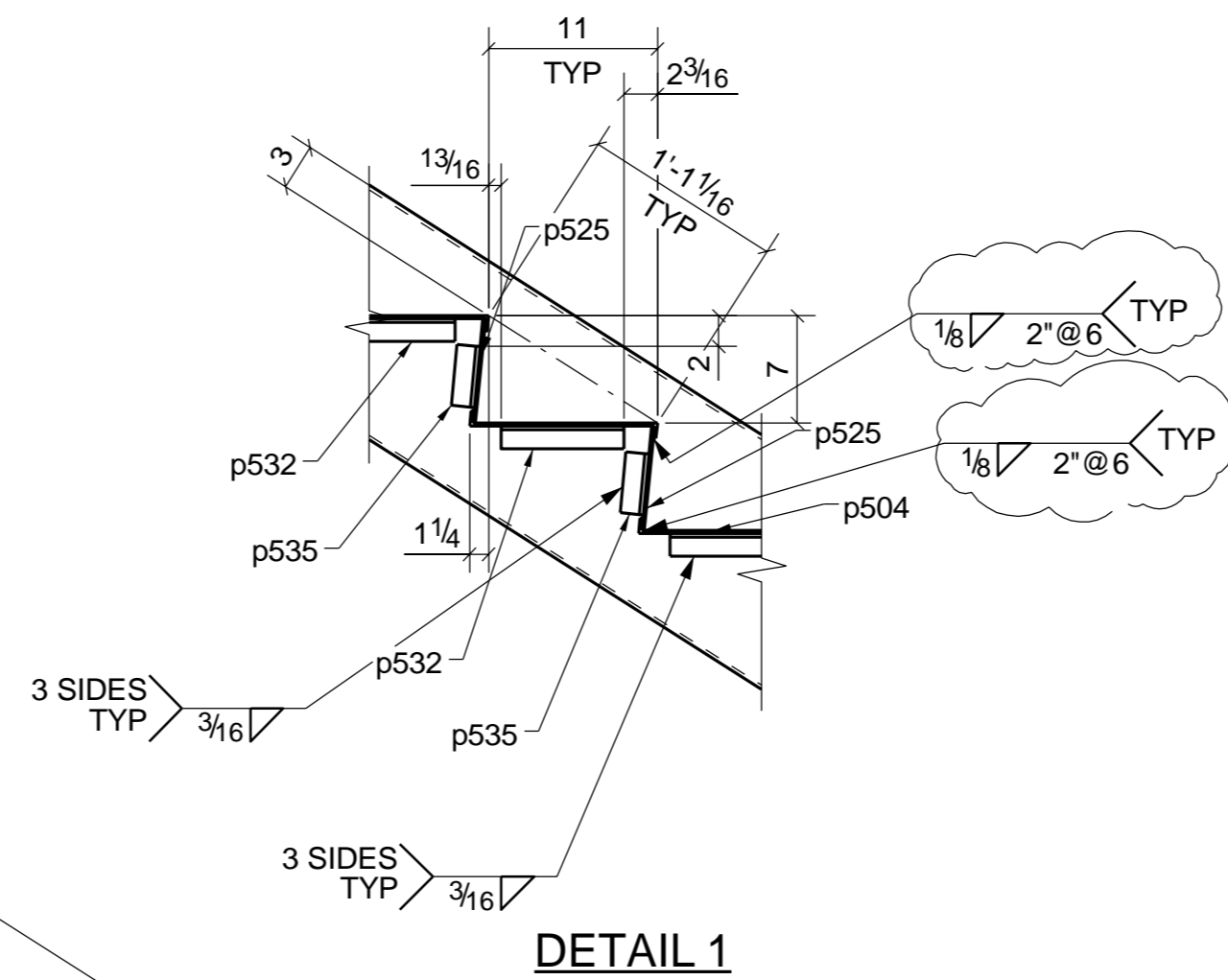
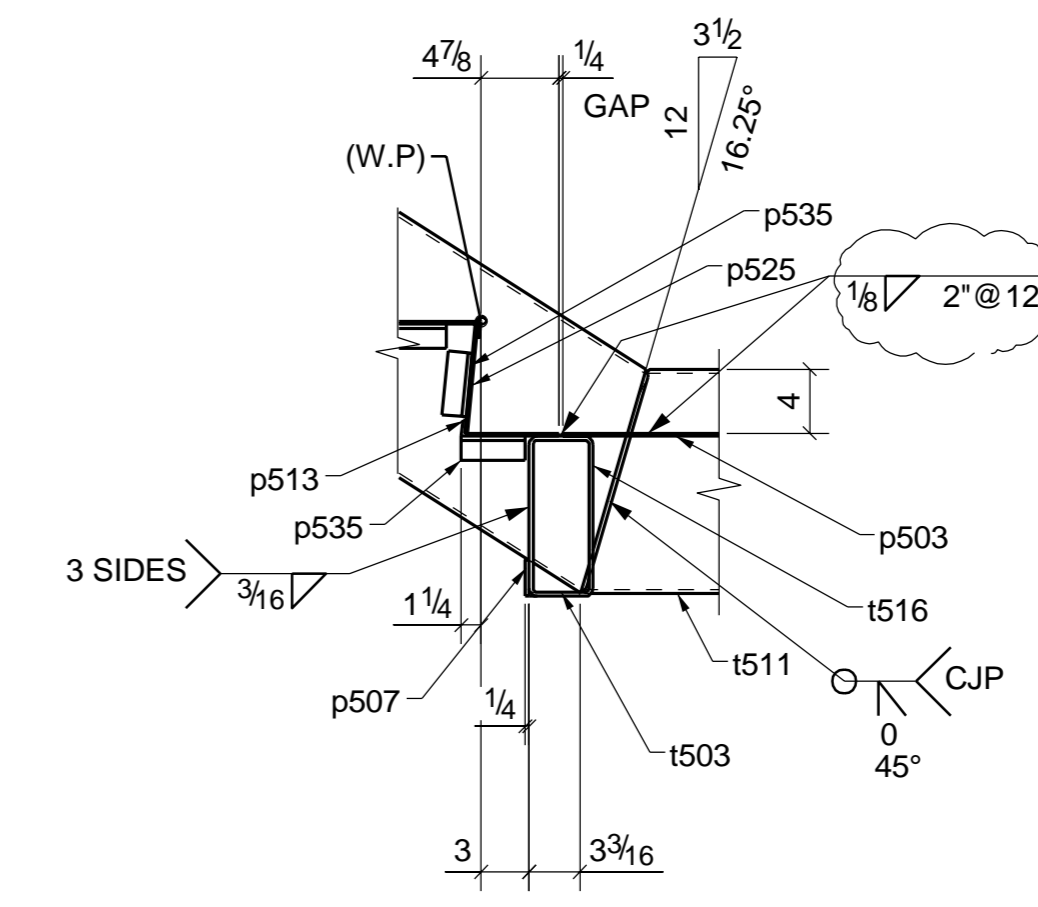


SECTION B - B

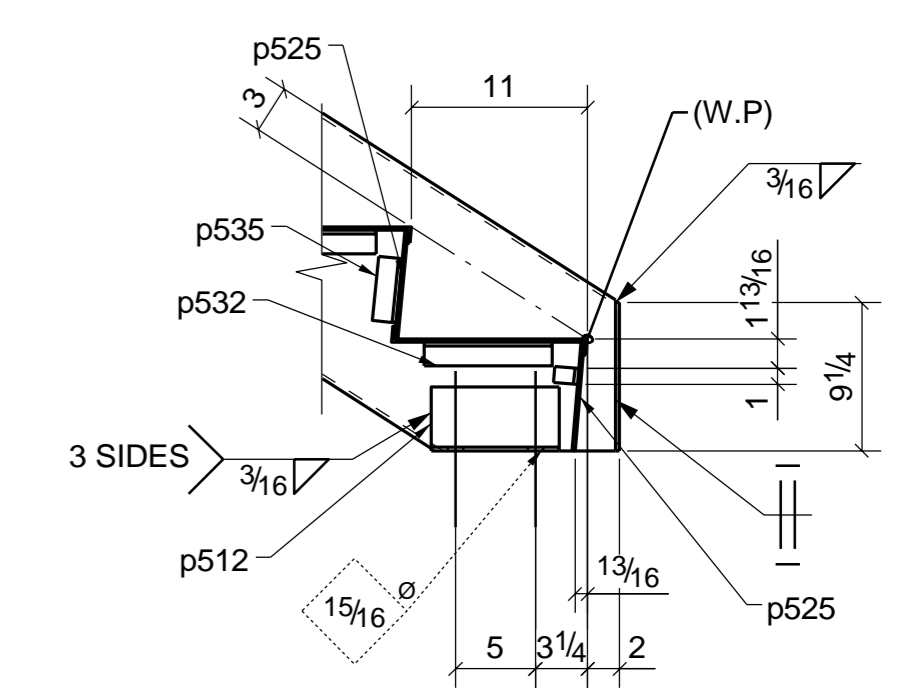
PLEASE VERIFY ALL CLOUDED WELD SIZE PRIOR TO FABRICATION



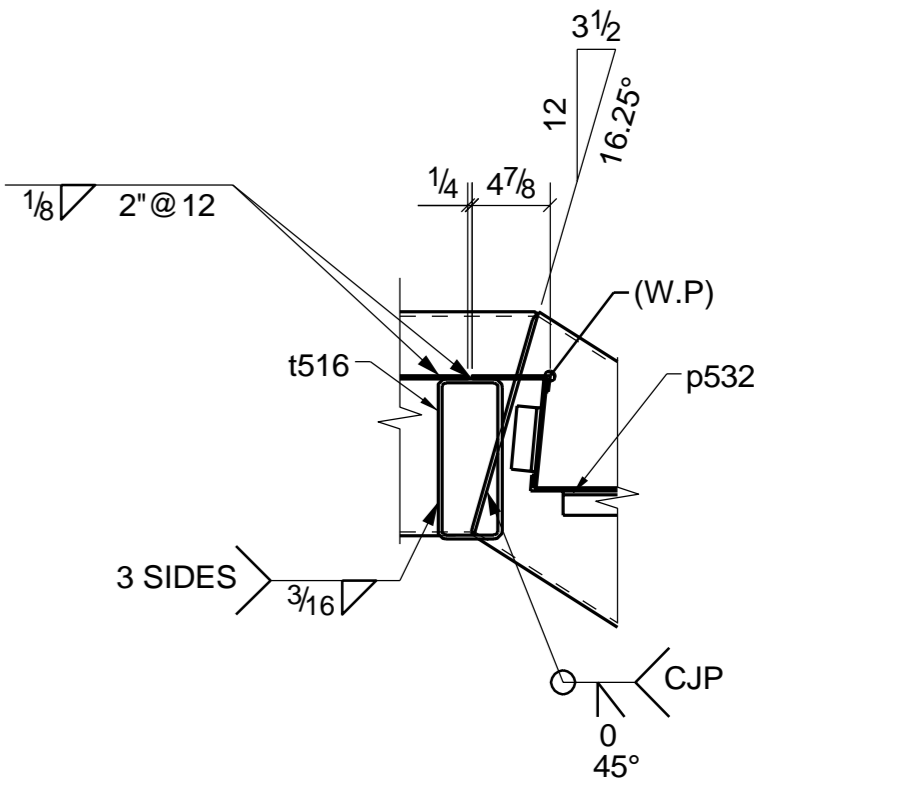
DETAIL 1



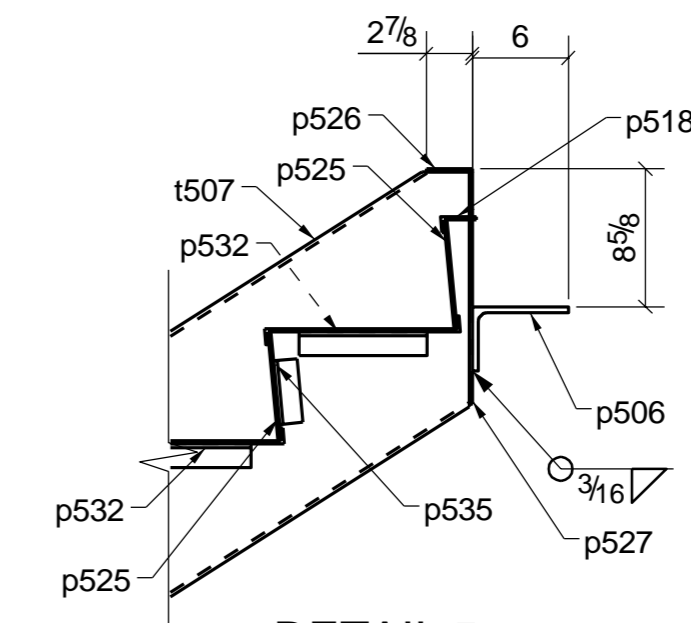
DETAIL 2



DETAIL 4



DETAIL 3



DETAIL 5

READ THIS SHEET ST.1/1 OF 2

BLUE PRINTS				BLUE PRINTS				BLUE PRINTS			
NO.	DATE	FOR	NO.	DATE	FOR	NO.	DATE	FOR	NO.	DATE	FOR

APPROVAL/REVIEW AUTHORITY:
 PLEASE REVIEW THIS DRAWING CAREFULLY IT REPRESENT OUR INTERPRETATION OF THE INTENT OF THE CONTRACT DOCUMENTS. HOWEVER, THE STEEL FABRICATOR AND THE STRUCTURAL DETAILER ASSUMES NO RESPONSIBILITY FOR THE ACCURACY OF THE INFORMATION SHOWN ON THIS DRAWING. THIS IS THE RESPONSIBILITY OF THE BUYER.
 UNLESS NOTED TO THE CONTRARY ON THIS DRAWING WHEN IT IS RETURNED FROM APPROVAL, IT WILL BE ASSUMED THAT ALL INFORMATION SHOWN HEREIN HAS THE AFFIRMATION OF APPROVAL AUTHORITY.
 SUBSEQUENT CHANGED INFORMATION SHOWN ON THESE DRAWINGS AFTER FIRST SUBMISSION WILL BE CONSIDERED AS CONTRACT CHANGES.
 ADOPTED BY THE AMERICAN INSTITUTE OF STEEL CONSTRUCTION.

FOR FIELD USE

NO.	DESCRIPTION	DATE
1	For Fabrication	

ITEM		DRAWN BY: BSF	
JOB	H&M	DATE	
LOCATION	US183 VICTORIA GARDEN	CHECKD BY: AGF	
ARCH.	LDA DESIGN GROUP INC.	DATE 07/15/17	
CONTR.	--	APPROVED	
ENGR.	HSA & ASSOCIATES INC,		
JOB NO.	HOLE SIZE U.N.	FINISH	DRWG. NO.
--	15/16	STD SHOP	ST.1 (2 OF 2)